

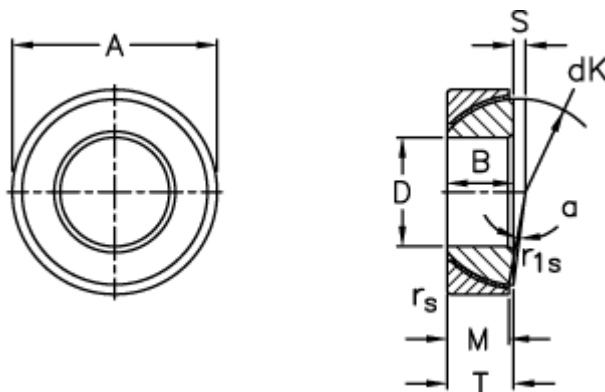
Data Sheet



Article number: 03510095

Description: Fluro Rod end GE 95SW

Measures



A = 145 0 -0,020

B = 32

D = 95 0 -0,020

dK = 135

Dynamic load C (kN) = 650

M = 29.5

rs, r1s min = 1.5

S = 10.8

Static load C0 (kN) = 1290

T = 32 +0,25 -0,60

Tilt angle = 2

Weight = 2220